

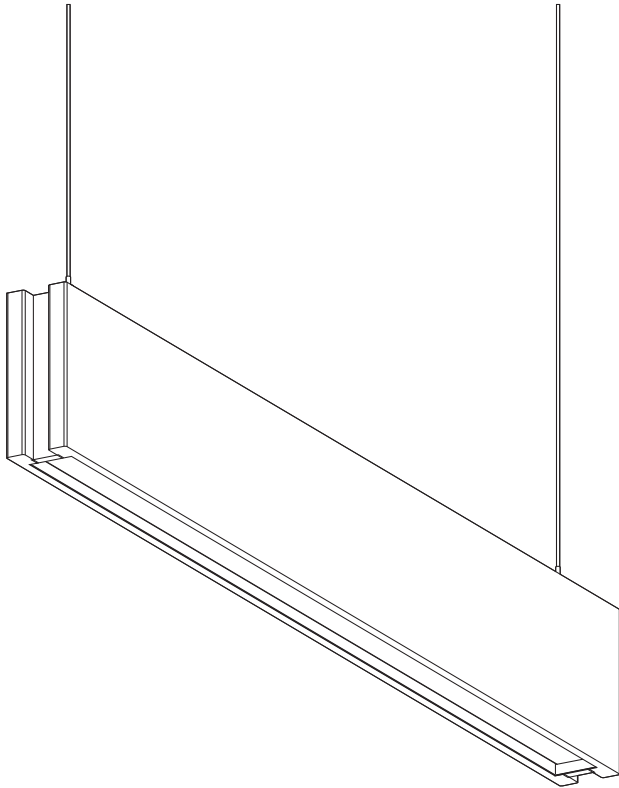
INSTALLATION GUIDE

LINEAR 60

INSTALLING LINEAR 60

THIS IS A GUIDE TO ASSIST
WITH YOUR SABIN PRODUCT
INSTALLATION.

THE FOLLOWING PAGES
EXPLAIN BEST PRACTICES FOR
A SUCCESSFUL INSTALLATION.
PLEASE NOTE THESE ARE NOT
COMPREHENSIVE TO EVERY
INSTALLATION ENVIRONMENT.
PLEASE CONTACT OUR FACTORY
FOR SPECIFIC QUESTIONS.



STEPS

- 1 AIRCRAFT CABLE
- 2 SURFACE TYPES
- 3A DRY WALL / HARD SURFACE
- 3B CEILING STRUT
- 4 FIXTURE ADJUSTMENT

READ PRIOR TO STARTING YOUR INSTALLATION



This product is suitable for indoor dry location only.

Do not switch online voltage until all the wiring is complete.

Do not connect directly to the high voltage 120V-277V power.

These products may represent a potential shock or fire hazard if improperly installed.

Products should be installed in accordance with local and National Electric Code (NEC).

This product should only be installed by a licensed Electrician.

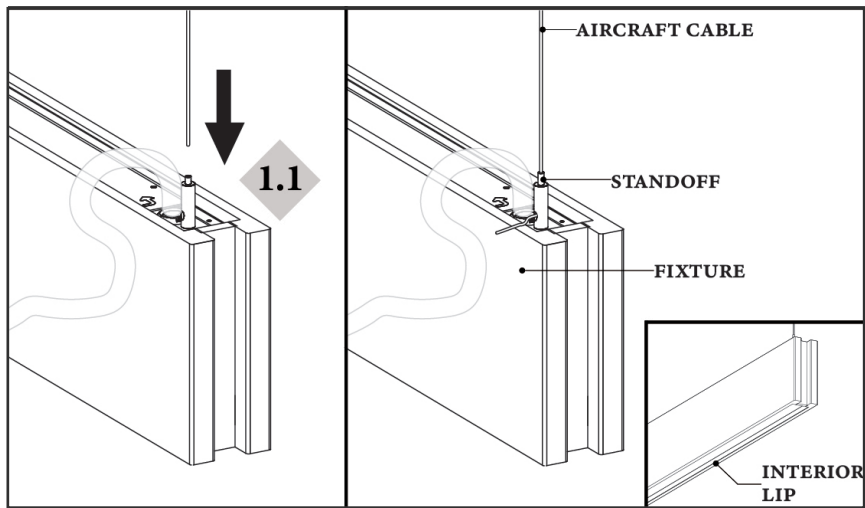
Allow air to flow freely around the fixture.

Do not install the Fixture closer than 6.0" to combustible material.

Do not use if there is any damage to the unit or to the wiring/insulation. Inspect periodically.

Confirm the proper gauge wires are used between Power Supplies, Controls & Fixture to avoid voltage drop.

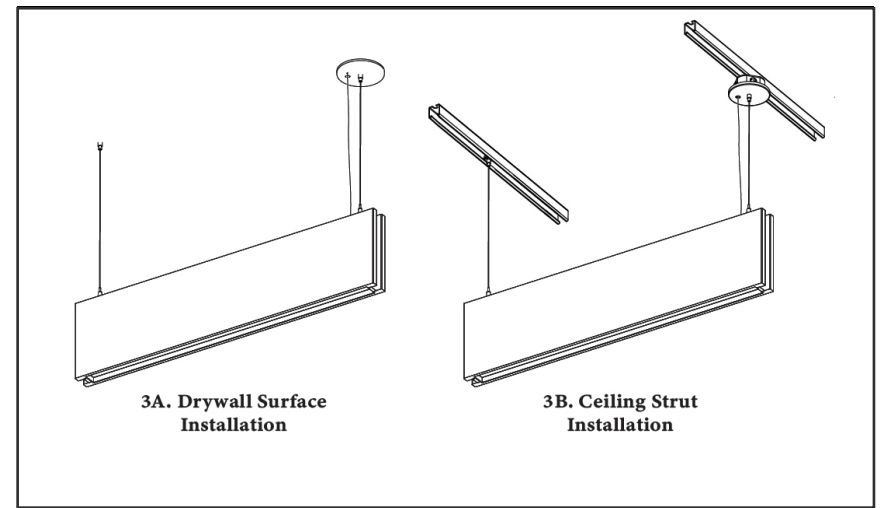
INSTALL THE AIRCRAFT CABLE



1.1 INSERT EACH AIRCRAFT CABLE INTO THE STANDOFF UNTIL THE DESIRED HEIGHT IS ACHIEVED.

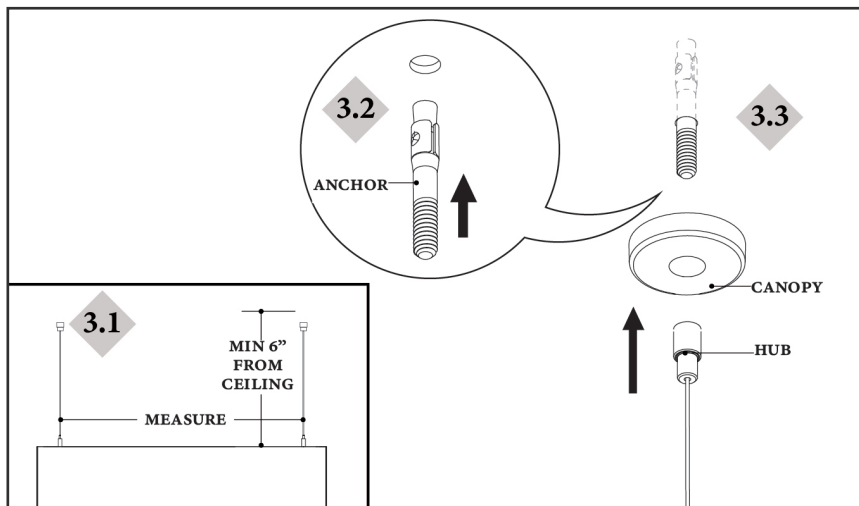
Note: Do not handle fixture by the interior lip.

SURFACE TYPES



2.1 TO PROPERLY INSTALL THE FIXTURE REFERENCE 3A OR 3B TO COMPLETE THE INSTALLATION DEPENDING ON THE SURFACE TYPE.

DRYWALL / HARD SURFACE INSTALLATION



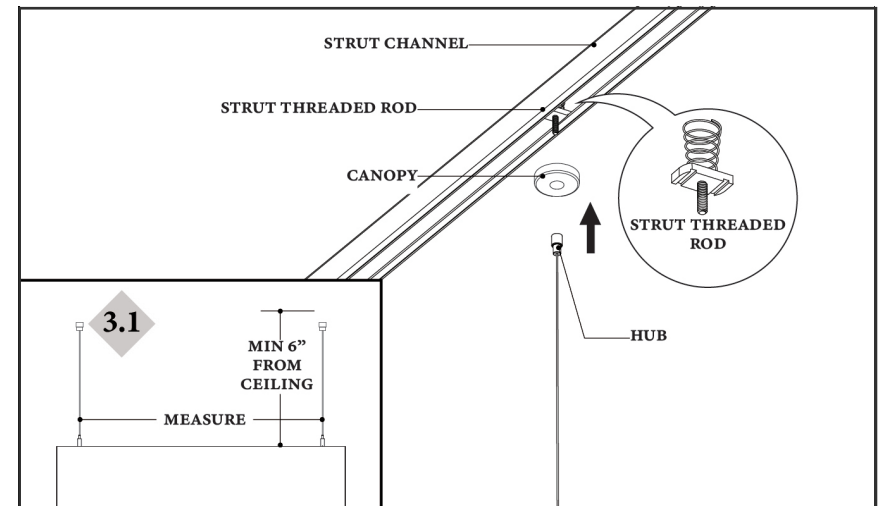
3A.1 MEASURE THE DISTANCE BETWEEN THE STANDOFFS, THEN MARK THIS MEASUREMENT TO THE SURFACE.

3A.2 INSTALL THE ANCHORS (1/4"-20 ANCHOR, NOT PROVIDED) ONTO THE MARKS OF THE SURFACE.

3A.3 SECURE THE AIRCRAFT CABLE HUB (WITH OR WITHOUT CANOPY) TO THE THREADED ROD FOLLOWED BY TIGHTENING.

Note: Hardware used will vary depending on the surface.

CEILING STRUT INSTALLATION



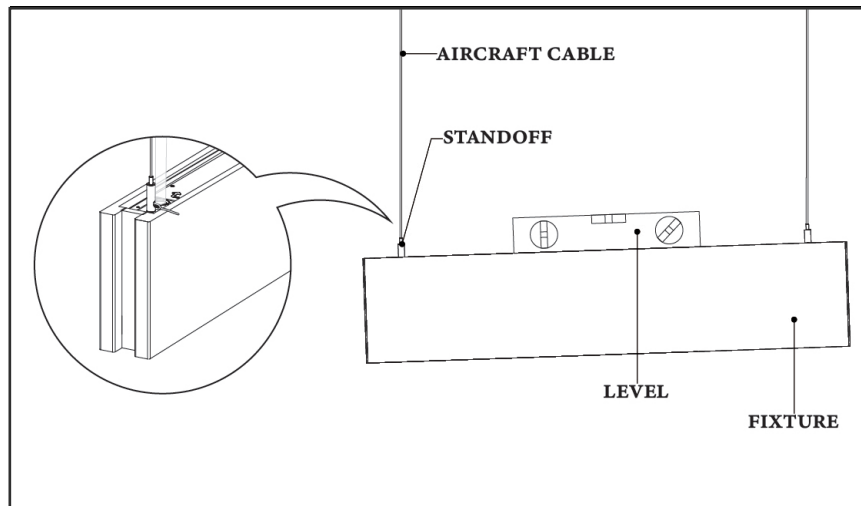
3B.1 MEASURE THE DISTANCE BETWEEN THE STANDOFFS, THEN MARK THIS MEASUREMENT TO THE STRUT CHANNEL.

3B.2 TWIST & RELEASE EACH STRUT THREADED ROD INTO THE CHANNEL.

3B.3 SECURE THE AIRCRAFT CABLE HUB (WITH OR WITHOUT CANOPY) TO THE THREADED ROD FOLLOWED BY TIGHTENING.

STEP 4

FIXTURE ADJUSTMENT



4.1 IF THE FIXTURE NOT LEVEL, PUSH OR PULL THE AIRCRAFT CABLE TO THE STANDOFFS.

4.2 IF NECESSARY CUT THE ACCESS AIRCRAFT CABLE OFF.

SABIN

4447 W CORTLAND ST.
CHICAGO IL 60637

SABIN.LIGHTING
© SABIN LLC