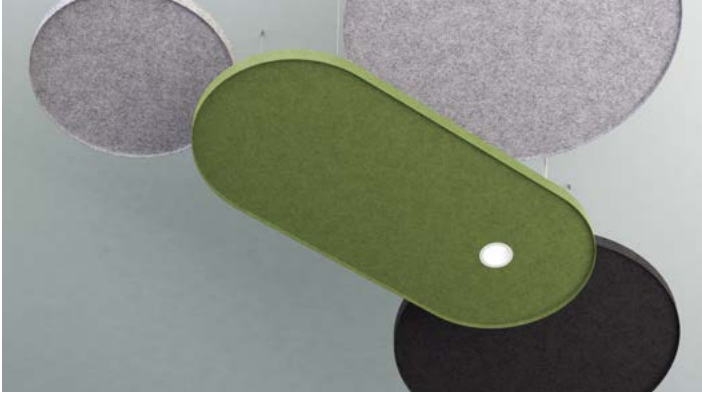


DATE	PROJECT	FIRM	FIXTURE TYPE
------	---------	------	--------------



## LAYER DISC - LBO (LIGHT BY OTHERS) DOWNLIGHT

Layer is scalable, flat, and simple. Reinforced with aluminum extrusion, Layer delivers the strength of a grid, the positional flexibility of Unistrut, and the opportunity for customization of a pendant luminaire all in one optimized package. Offered in customizable dimensions, this fixture's forms can be stacked and scattered throughout a space to provide a one-of-a-kind experience for any interior environment. Choose from a number of shapes, sizes, and configurations to curate a product tuned to your needs. Our commitment to craft shows up Sabin's signature sewn construction, which enables robust and simple design.

## SPECIFICATIONS

SERIES	LBO FIXTURE TYPE	DL CEILING CUT OUT <sup>1,3</sup>	LYR DIAMETER <sup>1,4</sup>
LYR-D-LBO	DL DOWNLIGHT	3" (76MM) 4" (102MM) 5" (127MM) 6" (152MM) 7" (178MM) CD <sup>2</sup>	24" (600MM) 35" (900MM) 47" (1200MM) CD <sup>2</sup>
FELT COLOR <sup>5</sup>		CORD COLOR	
<b>15BR</b> BEETROOT <b>15OB</b> OBSIDIAN <b>15BS</b> BISQUE <b>15PN</b> PINE <b>15CN</b> CANARY <b>15PM</b> PUMICE <b>15FL</b> FLINT <b>15QY</b> QUARRY <b>15GF</b> GULF <b>15SP</b> SAPPHIRE <b>15HZ</b> HAZEL <b>15SD</b> SAND <b>15JD</b> JADE <b>15SF</b> SAFFRON <b>15MY</b> MERCURY <b>15SA</b> SIENNA <b>15MS</b> MOSS <b>15WS</b> WISTERIA		<b>PCBK</b> BLACK <b>PCBL</b> BLUE <b>PCBR</b> BRONZE <b>PCGR</b> GREEN <b>PCRD</b> RED <b>PCGY</b> GRAY <b>PCWH</b> WHITE	
CABLE		CANOPY <sup>6</sup>	CEILING HARDWARE
<b>36BK</b> 36" (915MM) BLACK AC CABLE <b>36SLV</b> 36" (915MM) SILVER AC CABLE <b>60BK</b> 60" (1524MM) BLACK AC CABLE <b>60SLV</b> 60" (1524MM) SILVER AC CABLE <b>120BK</b> 120" (3048MM) BLACK AC CABLE <b>120SLV</b> 120" (3048MM) SILVER AC CABLE		<b>BK</b> BLACK <b>WH</b> WHITE	<b>CTB9</b> T-BAR CADDY CLIP, 9/16" <b>CTB15</b> T-BAR CADDY CLIP, 15/16" <b>CTG9</b> TEGULAR CADDY CLIP, 9/16" <b>CTG15</b> TEGULAR CADDY CLIP, 15/16" <b>CHS</b> HARD CEILING

1 IMPERIAL DIMENSIONS ARE NOMINAL. ACTUAL DIMENSIONS ARE METRIC.  
 2 CUSTOM DIAMETER AVAILABLE BETWEEN 15"-47" (390-1200MM).  
 3 DIAMETER OF THE HOLE SPECIFIED IN CHOSEN DOWNLIGHT INSTALLATION INSTRUCTIONS.  
 4 LYR DISC DIAMETER NEEDS TO BE AT LEAST 12" (300MM) LARGER THAN THE DL CEILING CUT OUT.  
 5 CUSTOM THREAD COLORS AVAILABLE. CONSULT FACTORY.

<sup>6</sup> (127MM) CANOPY PROVIDED. <sup>2</sup>" (50.8MM) CANOPY PROVIDED UPON REQUEST.

SEE ADDITIONAL OPTIONS FOR SIZE, TRIM FINISH, AND CUSTOMIZATION AT [SABIN.BUILD](https://sabin.build)



EXAMPLE PART NUMBER: LYR-D-LBO-DL-3-35(900)-15PM-PCWH-36SLV-WH-CHS

DATE	PROJECT	FIRM	FIXTURE TYPE

## SWATCHES

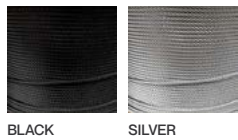
*Cylinder* utilizes 1.5mm felt and has the option to add trim and customize color for cable, thread, and cord (for lit fixtures.)

Contact the factory for additional color options.

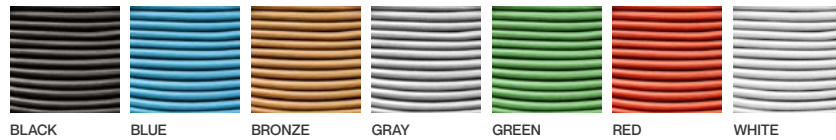
### 1.5MM FELT



### CABLE



### CORD



Colors are subject to slight variation from your screen or paper to the finished product.



DATE	PROJECT	FIRM	FIXTURE TYPE
------	---------	------	--------------

## ACOUSTIC PERFORMANCE DATA

ALL SABIN PRODUCTS ARE SUBJECT TO ACOUSTIC TESTING. PERFORMANCE VALUES WILL VARY BASED ON INSTALLATION FACTORS SUCH AS DENSITY AND MOUNTING HEIGHT.

**SABINS** A SABIN IS A UNIT OF SOUND ABSORPTION DEFINED AS THE AMOUNT OF SOUND ABSORBED BY ONE SQUARE FOOT OF A PERFECT ABSORBER. IT WAS INITIALLY CONCEIVED AS THE EQUIVALENT OF 1 SQUARE FOOT OF OPEN WINDOW, REFLECTING NO SOUND BACK INTO THE INTERIOR. SABINS ARE USED TO EXPRESS THE TOTAL EFFECTIVE ABSORPTION FOR THE INTERIOR OF A ROOM. THIS CHART INDICATES AVERAGE SABINS PER UNIT AT THE NOTED FREQUENCIES WHICH REPRESENT THE TYPICAL RANGE OF HUMAN SPEECH OF 200-2500 HZ.

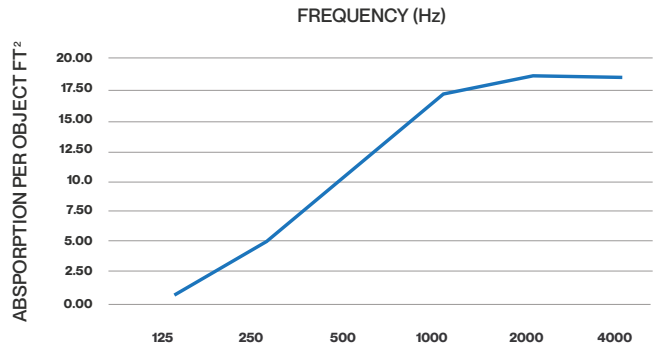
**NRC** NOISE REDUCTION COEFFICIENT (NRC) IS A SINGLE NUMBER VALUE RANGING FROM 0.0 TO 1.0 THAT DESCRIBES THE AVERAGE SOUND ABSORPTION PERFORMANCE OF A MATERIAL. AN NRC OF 0.0 INDICATES THE OBJECT DOES NOT ABSORB MID-FREQUENCY SOUND ENERGY, BUT REFLECTS IT. AN NRC OF 1.0 INDICATES THAT THE SOUND ABSORPTION PERFORMANCE OF THE MATERIAL IS EQUAL TO ITS SURFACE AREA (MEASURED IN UNITS SABIN), OR CONCEPTUALLY 100% SOUND ABSORPTION.

PROJECTED NRC = .95

TOTAL SOUND ABSORPTION WILL VARY BASED ON DESIGNED PRODUCT CONFIGURATION. SABIN TESTS ALL PRODUCTS IN MULTIPLE CONFIGURATIONS. PLEASE CONTACT SABIN OR YOUR LOCAL AGENT FOR MORE INFORMATION.

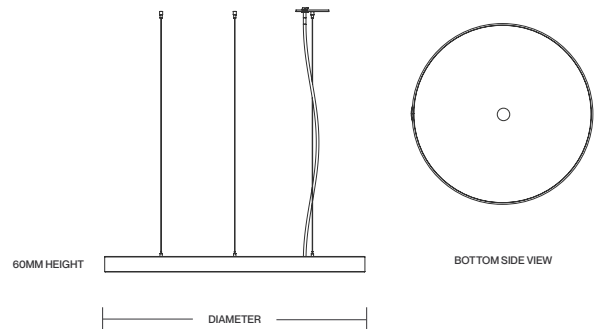
### SABIN LAYER FAMILY

PROJECTED PERFORMANCE



## DIMENSIONS + WEIGHT

SERIES	DIAMETER <sup>1</sup>	HEIGHT <sup>1,3</sup>
LYR-D-LBO	12" (300MM) 24" (600MM) 35" (900MM) 47" (1200MM) CD <sup>2</sup>	2" (60MM)



<sup>1</sup> IMPERIAL DIMENSIONS ARE NOMINAL. ACTUAL DIMENSIONS ARE METRIC.  
<sup>2</sup> CUSTOM DIAMETER AVAILABLE BETWEEN 12"-47" (300-1200MM).  
<sup>3</sup> GRIPPERS ADD AN ADDITIONAL 0.6" (16MM) TO HEIGHT.

\* ALL STANDARD DIMENSIONS ARE ECO-CONSCIOUS, MAXIMIZING MATERIAL USE AND MINIMIZING WASTE. CUSTOM DIMENSIONS RESULT IN EXCESS MATERIAL WASTE.

See Dimensions and Weight Table for Limitations

## WEIGHT

PLEASE CONSULT THE FACTORY FOR PRODUCT WEIGHTS BASED ON CONFIGURATION AND PART NUMBERS.

DATE	PROJECT	FIRM	FIXTURE TYPE
------	---------	------	--------------

## ACOUSTIC MATERIAL

OUR 1.5MM AND 9MM PET (POLYESTER) FELT PANELS CONTAIN MINIMUM 60% POST-CONSUMER RECYCLED POLYESTER STAPLE FIBER. THE MATERIAL IS MOISTURE RESISTANT, FIRE RATED AND RECYCLABLE. THE POROUS MATERIAL IS AN OUTSTANDING ABSORBER OF ACOUSTIC ENERGY.

- FIRE RETARDANT: ASTM E84 CLASS A, EN13501 CLASS B
- DECORATIVE: 16 STANDARD COLORS
- CONSTRUCTION: 100% POLYESTER FIBER (PET)

## CONSTRUCTION

A HIGHLY ENGINEERED, ROBUST ACOUSTIC LUMINAIRE COMPRISED OF ≥ 60% RECYCLED PET MATERIAL UTILIZING SEWN CONSTRUCTION TO MAXIMIZE STRENGTH, DURABILITY AND SOUND ABSORBENCY.

## CARE

PET ACOUSTICS: REMOVE DUST WITH COMPRESSED AIR, A VACUUM OR LINT ROLLER. ALUMINUM & POLYMER COMPONENTS: REMOVE DUST AND DEBRIS WITH A CLEAN, DRY, OR DAMP LINT-FREE CLOTH.

## MOUNTING

SUSPENDED WITH 1/16" (1.6MM) AIRCRAFT CABLES, COLOR MATCHING CABLE AND GRIPPERS, INSTALLED AT FACTORY. AIRCRAFT CABLES AVAILABLE IN PRECUT LENGTHS OF 36" (915MM), 60" (1524MM), OR 120" (3048MM) WITH FABRIC-COVERED POWER CORD AND 5" (125MM) CANOPY.

## CERTIFICATES/LISTING

TESTED IN ACCORDANCE WITH NEC, ANSI/NFPA 70 STANDARDS. ETL LISTED FOR DRY LOCATIONS, IP20, ROHS COMPLIANT.

## WARRANTY

FIXTURE RATED FOR OPERATION IN CONDITIONED ENVIRONMENTS UP TO 77°F (25°C). FIXTURE IS WARRANTIED TO BE FREE FROM DEFECTS AND/OR FAILURE UNDER NORMAL USE AND PROPER STORAGE FOR FIVE (5) YEARS FROM DATE OF SHIPMENT.